



Radiator Core Quoting Form

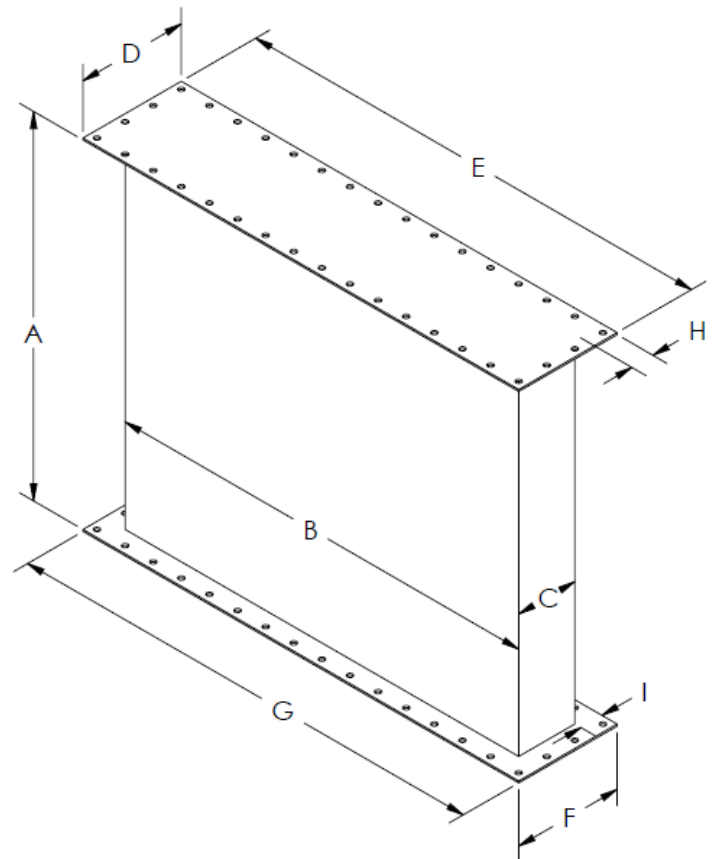
Contact: _____
 Company: _____
 Phone: _____
 Email: _____

Quantity: _____
 Date Needed: _____
 City & State of Delivery: _____

Radiator Core Measurement Guide

Primary Measurements:

- A. Height of Core _____
- B. Width of Core _____
- C. Depth of Core _____
- D. Width of Top Header _____
- E. Length of Top Header _____
- F. Width of Bottom Header _____
- G. Length of Bottom Header _____
- H. Top Header Overhang _____
- I. Bottom Header Overhang _____
- J. Number of Fins / Inch _____



Additional Characteristics:

- 1. Number of Bolt Holes / Header _____
- 2. Shape of Headers _____
- 3. Material Gauge of Headers _____
- 4. Fin Material _____